

# GE-ZO / GE-ZO-2RS Series Imperial Dimension Plain Spherical Bearings

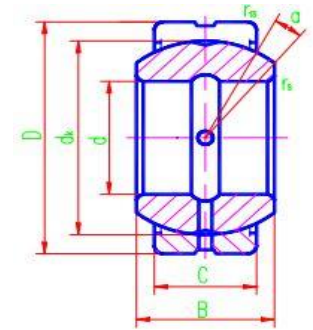
## Steel/Steel Lubrication Required



**Outer Ring and Ball:** 100Cr6 Bearing Steel, Hardened and Phosphated, sliding surface treated with MoS2

**Temperature Range:** Open design -50°C to +150°C / 2RS design -50°C to +130°C

**Suffix :** 2RS = 2 wiper seals



Dimensions in mm	Dimensions in decimal inches
------------------	------------------------------

Part Number	Dimensions								Load Ratings kN		Weight (kg)
	d	D	B	C	dk	rs	ris	a°	Dynamic	Static	
GE12ZO	12.7	22.225	11.1	9.525	18	0.15	0.6	6	13	41	0.022
GE12ZO	0.500	0.875	0.437	0.375	0.707	0.006	0.024	6	13	41	0.022
GE15ZO	15.875	26.988	13.894	11.913	23	0.15	0.6	6	22	65	0.036
GE15ZO	0.625	1.063	0.547	0.469	0.904	0.006	0.024	6	22	65	0.036
GE19ZO	19.05	31.75	16.662	14.275	27.5	0.3	0.6	6	31	95	0.053
GE19ZO	0.750	1.250	0.656	0.562	1.081	0.012	0.024	6	31	95	0.053
GE22ZO / GE22ZO-2RS	22.225	36.513	19.431	16.662	32	0.3	0.6	6	42	127	0.085
GE22ZO / GE22ZO-2RS	0.875	1.438	0.756	0.656	1.258	0.012	0.024	6	42	127	0.085
GE25ZO / GE25ZO-2RS	25.4	41.275	22.225	19.05	36.5	0.3	0.6	6	56	166	0.121
GE25ZO / GE25ZO-2RS	1.000	1.625	0.875	0.750	1.437	0.012	0.024	6	56	166	0.121
GE31ZO / GE31ZO-2RS	31.750	50.800	27.762	23.800	45.500	0.600	0.600	6	86	260	0.230
GE31ZO / GE31ZO-2RS	1.250	2.000	1.093	0.937	1.788	0.024	0.024	6	86	260	0.230
GE34ZO / GE34ZO-2RS	34.925	55.563	30.15	26.187	49	0.6	1	6	102	310	0.350
GE34ZO / GE34ZO-2RS	1.375	2.188	1.187	1.031	1.926	0.024	0.040	6	102	310	0.350
GE38ZO / GE38ZO-2RS	38.1	61.913	33.325	28.575	54.7	0.6	1	6	125	375	0.420
GE38ZO / GE38ZO-2RS	1.500	2.438	1.312	1.125	2.154	0.024	0.040	6	125	375	0.420
GE44ZO / GE44ZO-2RS	44.45	71.438	38.887	33.325	63.9	0.6	1	6	170	510	0.640
GE44ZO / GE44ZO-2RS	1.750	2.813	1.531	1.312	2.511	0.024	0.040	6	170	510	0.640
GE50ZO / GE50ZO-2RS	50.8	80.963	44.45	38.1	73	0.6	1	6	224	670	0.930
GE50ZO / GE50ZO-2RS	2.000	3.188	1.750	1.500	2.869	0.024	0.040	6	224	670	0.930
GE57ZO / GE57ZO-2RS	57.15	90.488	50.013	42.85	82	0.6	1	6	280	850	1.300
GE57ZO / GE57ZO-2RS	2.250	3.563	1.969	1.687	3.223	0.024	0.040	6	280	850	1.300
GE63ZO / GE63ZO-2RS	63.5	100.013	55.55	47.625	92	1	1	6	355	1060	1.850
GE63ZO / GE63ZO-2RS	2.500	3.938	2.187	1.875	3.616	0.040	0.040	6	355	1060	1.850
GE69ZO / GE69ZO-2RS	69.85	111.125	61.112	52.375	100	1	1	6	415	1250	2.400
GE69ZO / GE69ZO-2RS	2.750	4.375	2.406	2.062	3.937	0.040	0.040	6	415	1250	2.400
GE76ZO / GE76ZO-2RS	76.2	120.65	66.675	57.15	109.5	1	1	6	500	1500	3.100
GE76ZO / GE76ZO-2RS	3.000	4.750	2.625	2.250	4.303	0.040	0.040	6	500	1500	3.100